

DO NOT SCALE

This drawing has been produced by Dorman Long Technology in accordance with the instructions of the client for their sole and specific use.

Dorman Long Technology shall not be liable for the use of any information contained on this drawing for any purpose other than that for which it was specifically prepared and provided.

Should there be any doubt regarding the interpretation of any information given on this drawing, enquiries should be directed to Dorman Long Technology at the address given below before executing such part of the works.

Copyright © Dorman Long Technology

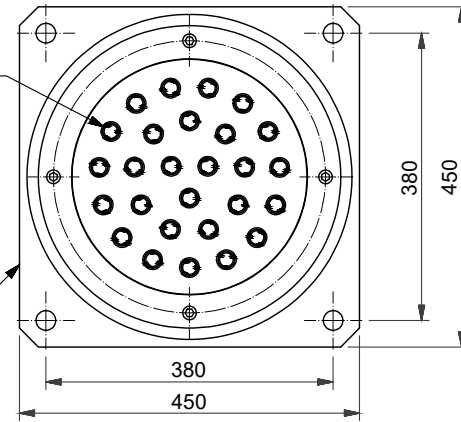
NOTES

SPECIFICATION

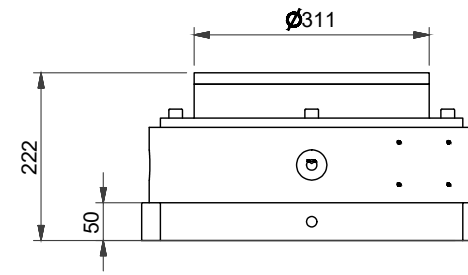
SAFE WORKING LOAD	418 METRIC TONNES
WORKING PRESSURE	279 BAR
JACK TEST LOAD (1.25xSWL)	523 METRIC TONNES
MAIN CYLINDER TEST PRESSURE ON EXTEND/RETRACT (1.5xWORKING PRESSURE)	419 BAR
CLOSED HEIGHT	2100 mm
STROKE	500 mm
TOTAL JACK WEIGHT	3212 kg
TOTAL FIXED ANCHOR WT	201 kg
No. OF 18mm STRANDS	27
STRAND CABLE O.D.	258 mm

STRAND PATTERN
27 No. STRANDS
15 No. - 240 PCD
9 No. - 148 PCD
3 No. - 56 PCD

450x450x50 BASE PLATE
WITH 4 No. Ø26 HOLES
FOR M24 FIXINGS

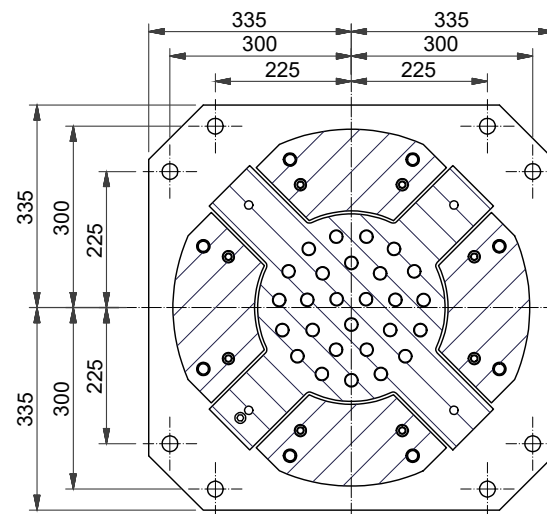


PLAN



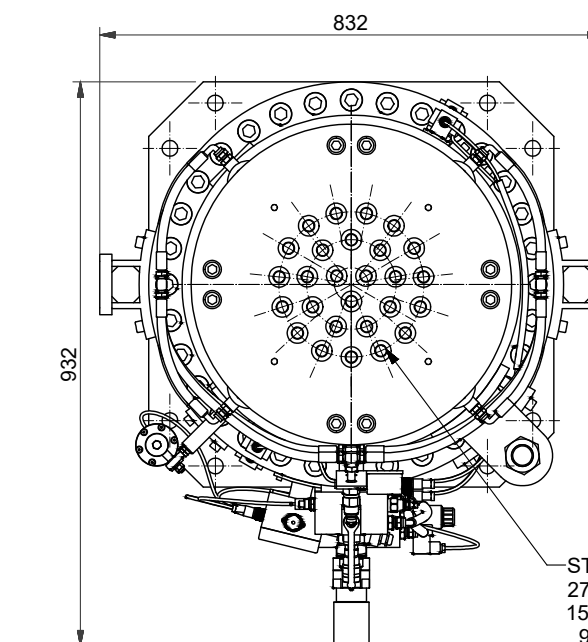
ELEVATION

DL-S418 FIXED ANCHOR



SECTION B-B (1: 12.5)

670x670x50 THK
BASE PLATE WITH
8 No. Ø26 HOLES FOR
M24 GR8.8 FIXING BOLTS



VIEW A (1: 12.5)

STRAND PATTERN
27 No. STRANDS
15 No. - 240 PCD
9 No. - 148 PCD
3 No. - 56 PCD

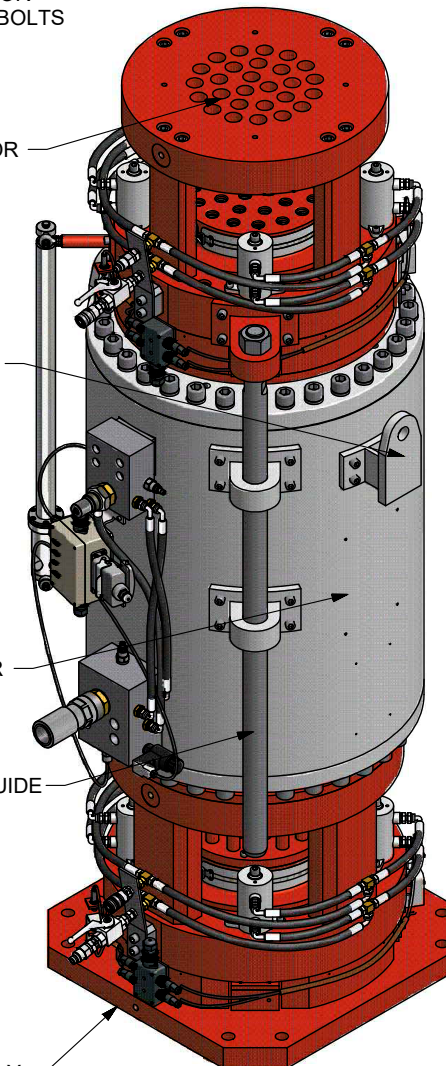
LIFTING BRACKETS

MAIN CYLINDER

ANTI-ROTATION GUIDE

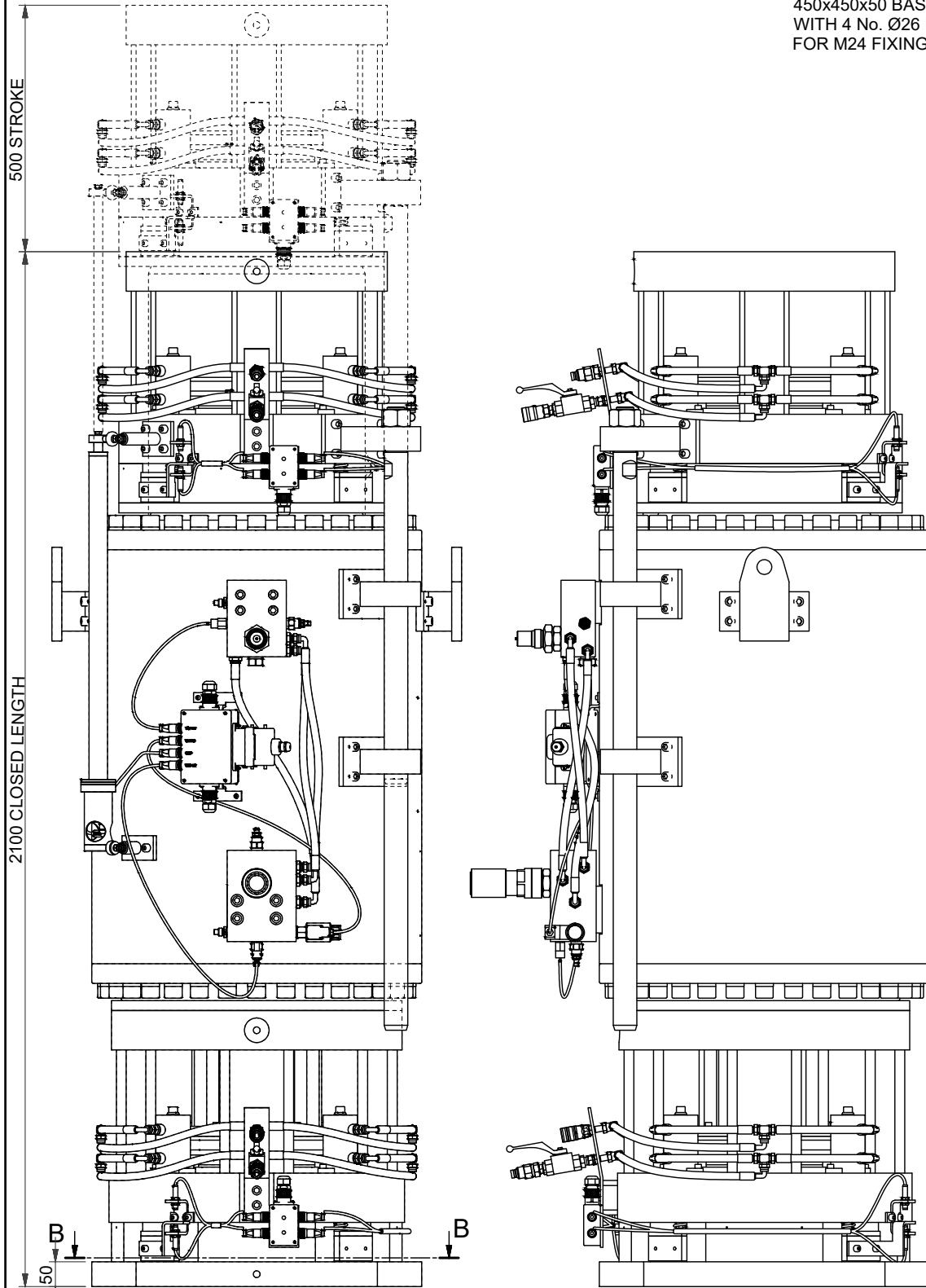
BASE ANCHOR ASSEMBLY

TOP ANCHOR ASSEMBLY



DL-S418 STRAND JACK

A



FRONT ELEVATION (1: 12.5)

11	18.01.16	INF	ISSUED FOR INFORMATION	TJB	DK
Rev	Date	Status	Description	By	Chkd



Project
DL-S418 STRAND JACK

Drawing Title
STRAND JACK AND FIXED ANCHOR
GENERAL ARRANGEMENT

Design Eng.	SFF	Checking Eng.	KING
Drawn by:	KXY	Project Eng.	SAB

Scales (At A3)
AS SHOWN

Original Drawing size: A3

Drawing No.
PL-J450-001