

DO NOT SCALE

This drawing has been produced by Dorman Long Technology in accordance with the instructions of the client for their sole and specific use.
 Dorman Long Technology shall not be liable for the use of any information contained on this drawing for any purpose other than that for which it was specifically prepared and provided.
 Should there be any doubt regarding the interpretation of any information given on this drawing, enquiries should be directed to Dorman Long Technology at the address given below before executing such part of the works.

Copyright © Dorman Long Technology

NOTES

SPECIFICATION

SAFE WORKING LOAD	15.4 TONNES
WORKING PRESSURE	191 BAR
JACK TEST LOAD (1.25xSWL)	19.3 TONNES
MAIN CYLINDER TEST PRESSURE ON EXTEND AND RETRACT (1.5xWORKING PRESSURE)	287 BAR
CLOSED LENGTH	1827mm
STROKE	500mm
OPERATING TEMP	-20 to +40 °C
TOTAL JACK WEIGHT	140.7 kg
TOTAL FIXED ANCHOR WT	2.9 kg
No. OF 18mm STRANDS	1
STRAND CABLE O.D.	18 mm

13	21.09.15	INF	UPDATED	TJB	DK
12	30.09.15	INF	GENERAL REVISIONS	TJB	DK
11	23.09.15	INF	ISSUED FOR INFORMATION	TJB	DK
Rev	Date	Status	Description	By	Chkd



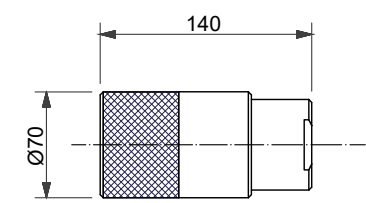
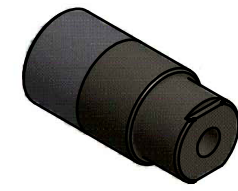
Project
 DL-S15B STRAND JACK

Drawing Title
 STRAND JACK AND FIXED ANCHOR
 GENERAL ARRANGEMENT

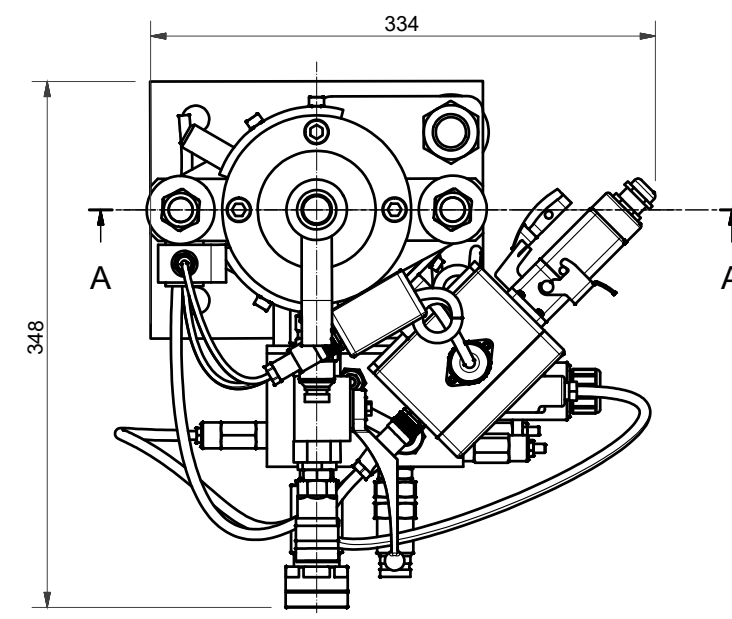
Design Eng:	SFF	Checking Eng:	HQF
Drawn by:	HWJ	Project Eng:	DJD

INFORMATION

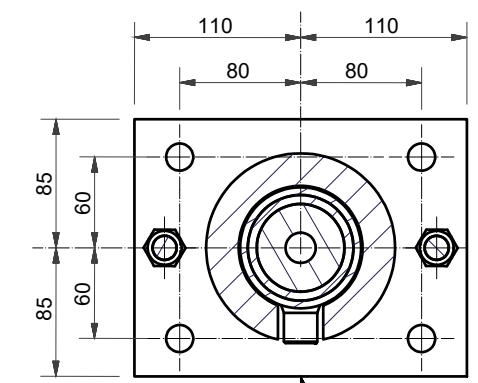
Original Drawing size: A3	Drawing No.	Sheet	Rev.
PL-J15-001			13



FIXED ANCHOR (1:5)
 (SEE DRG DL-S15B-111)

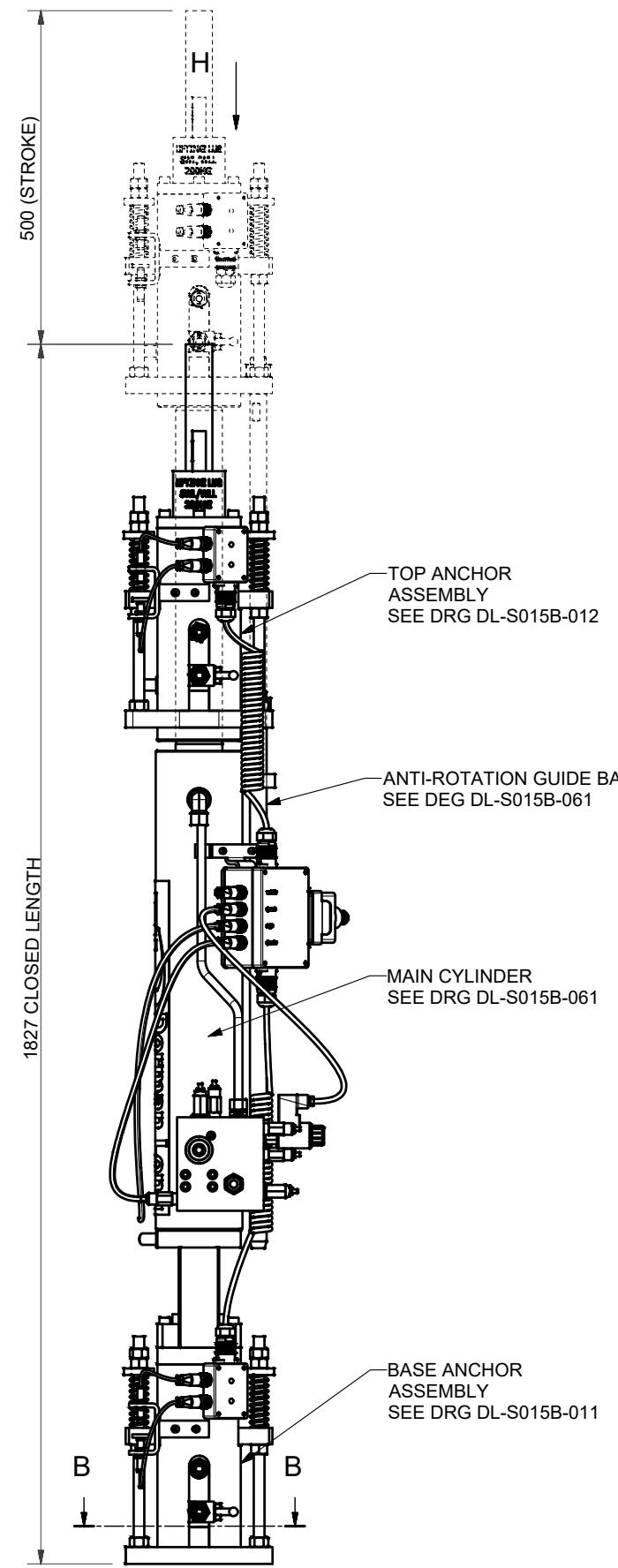


PLAN VIEW (1:5)

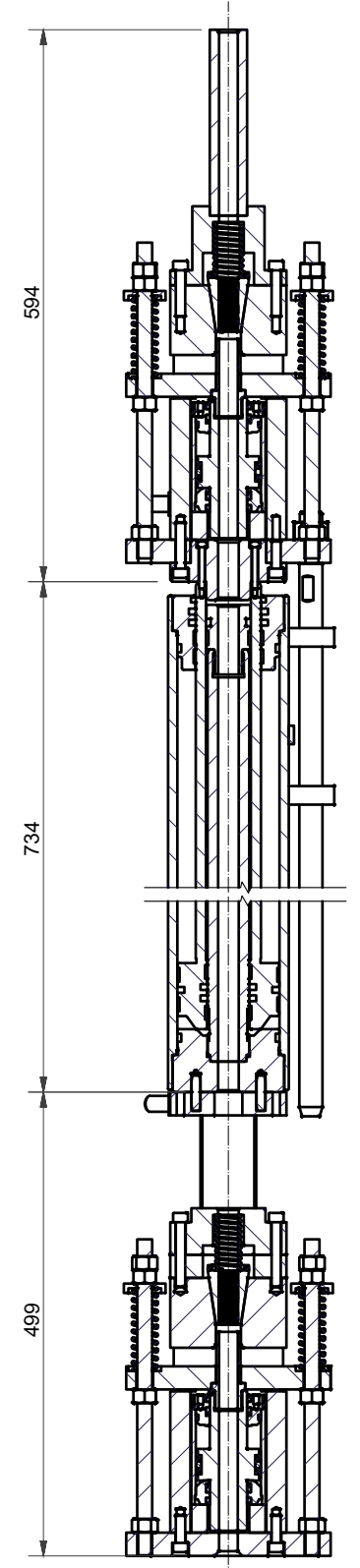


220x170x25 THK BASE PLATE
 TO JACK WITH 4 No. Ø18 HOLES
 FOR M16 GRADE 8.8 FIXING BOLTS

B-B (1:5)



DL-S15B STRAND JACK (1:10)



A-A (1:8)

